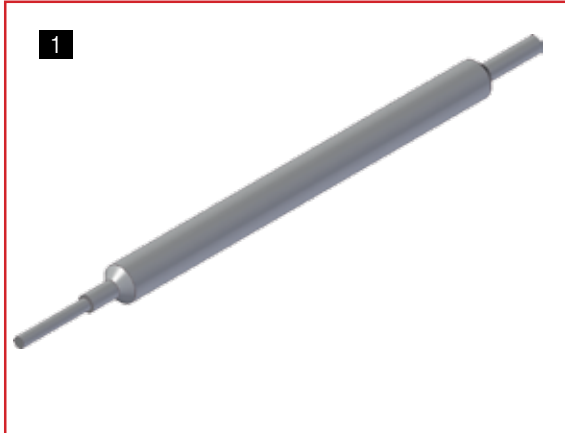
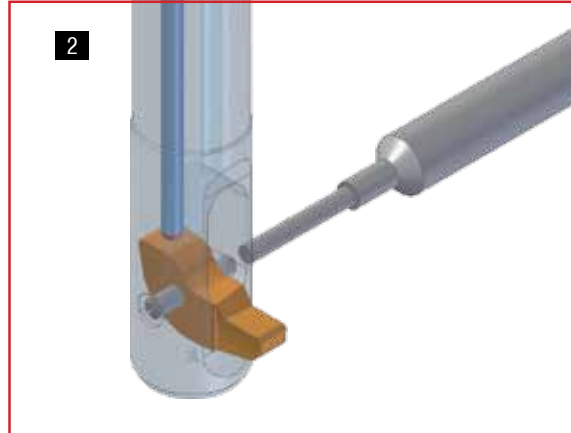


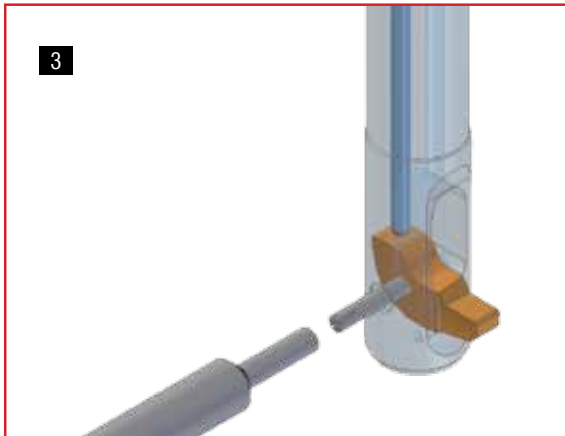
Blade Change



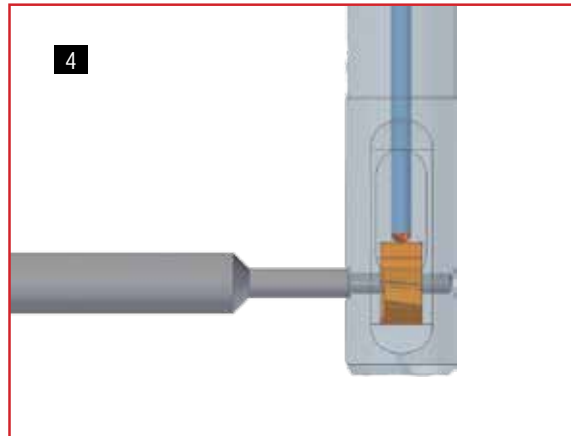
1
Dismantling - Use the supplied assembly pin for the BSF blade change.



2
Position the assembly pin on the solid end of the split pin (opposite side of the slot). Press the assembly pin in until the split pin falls out and the blade is free.



3
Assembling - Insert the blade. Then insert the split pin and fix the blade.



4
With the flat side of the assembly pin, push in the split pin until it is flush with the blade housing diameter. Blade is fixed in place.

Note:

The blade must move freely. If it is not, dismantle the blade and repeat the steps listed above. The blade and blade housing must be cleaned and inspected.

After an extended time, check that the blade moves about freely. Dried oil, coolant or dust may cause the blade to stick.

Every time the blade is changed the split pin must be replaced (pin is included in blade shipment). Using a split pin several times may cause blade fixing problems.



For blade change videos visit:

www.HeuleTool.com