



**HEULE+**  
PRECISION TOOLS

**SWISS  MADE**

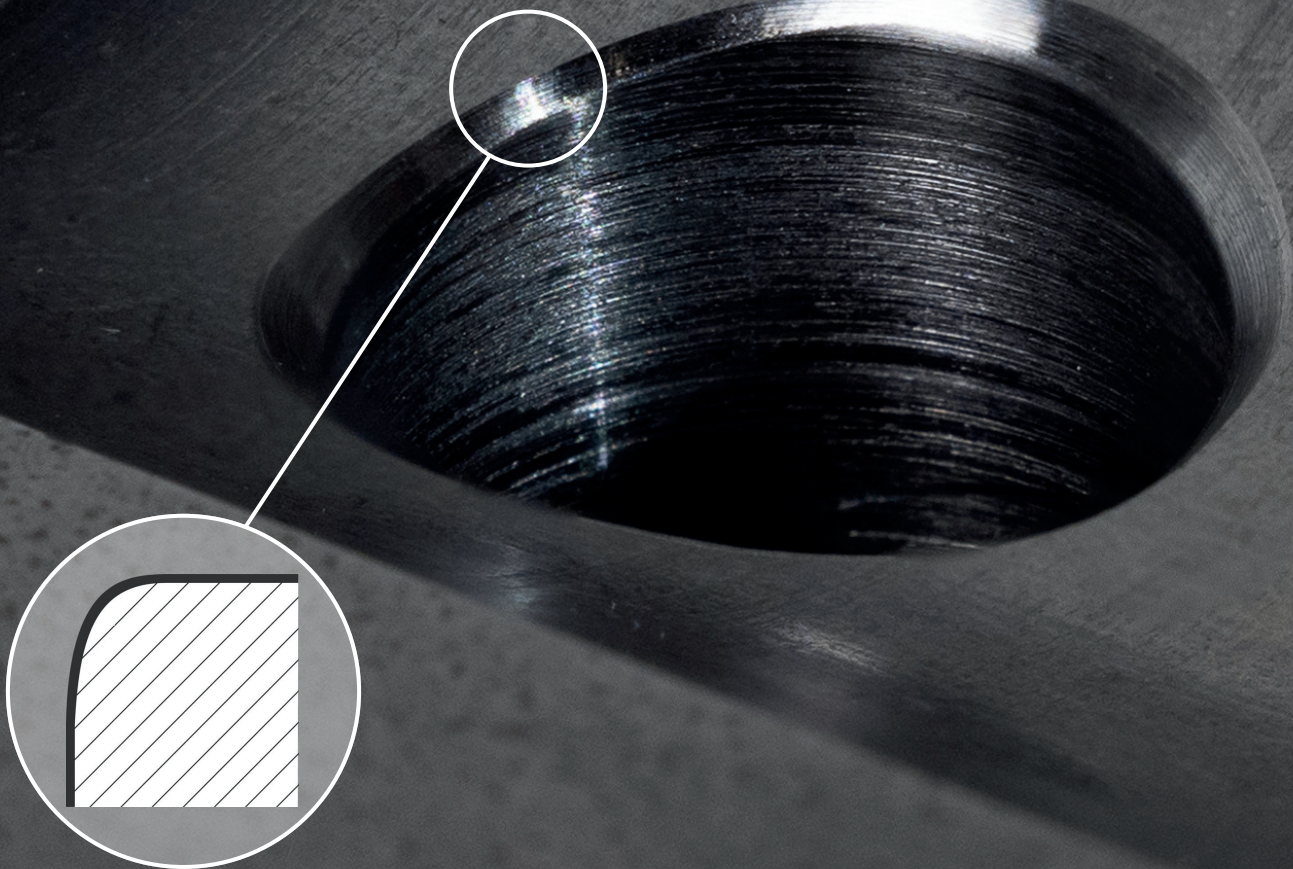
Tools for front and back deburring, chamfering,  
drilling, countersinking and back spotfacing in...

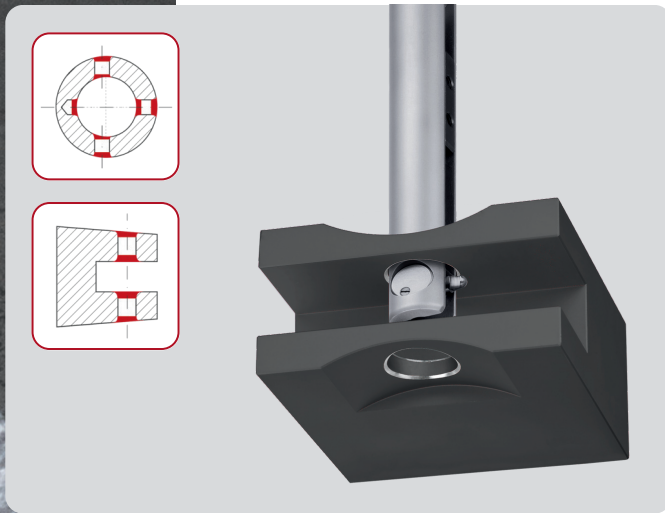
***ONE* OPERATION**



# DEBURRING

HEULE's deburring tools handle both flat and uneven bore edges, performing forward and backward deburring in a single operation. This automated process provides exceptional reliability and cost-effectiveness.

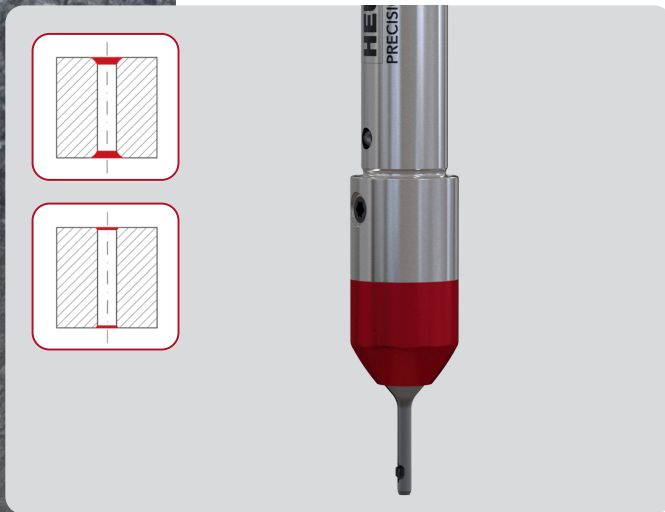




## COFA

### The Universal Deburring Tool

The COFA tool removes burrs on the front and back of a drilled through-hole on even and uneven surfaces in a single cycle. It radially removes the burrs off the bore edges, without requiring the work piece to be turned or the spindle to be stopped. It can be applied universally in manual or automatic operations for high volume production.

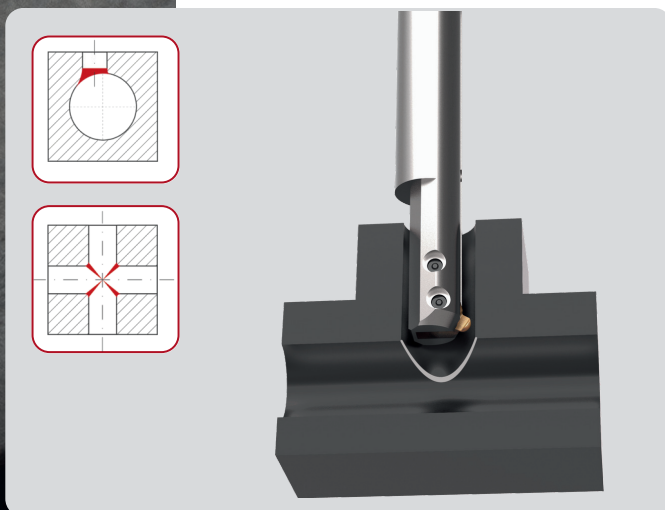


## DL2

### Small Diameter Deburring Tool

The DL2 with quick change carbide coated blades is designed for the machining of even and slightly uneven bore edges. It is extremely reliable in CNC-operation and ensures high efficiency and process reliability.

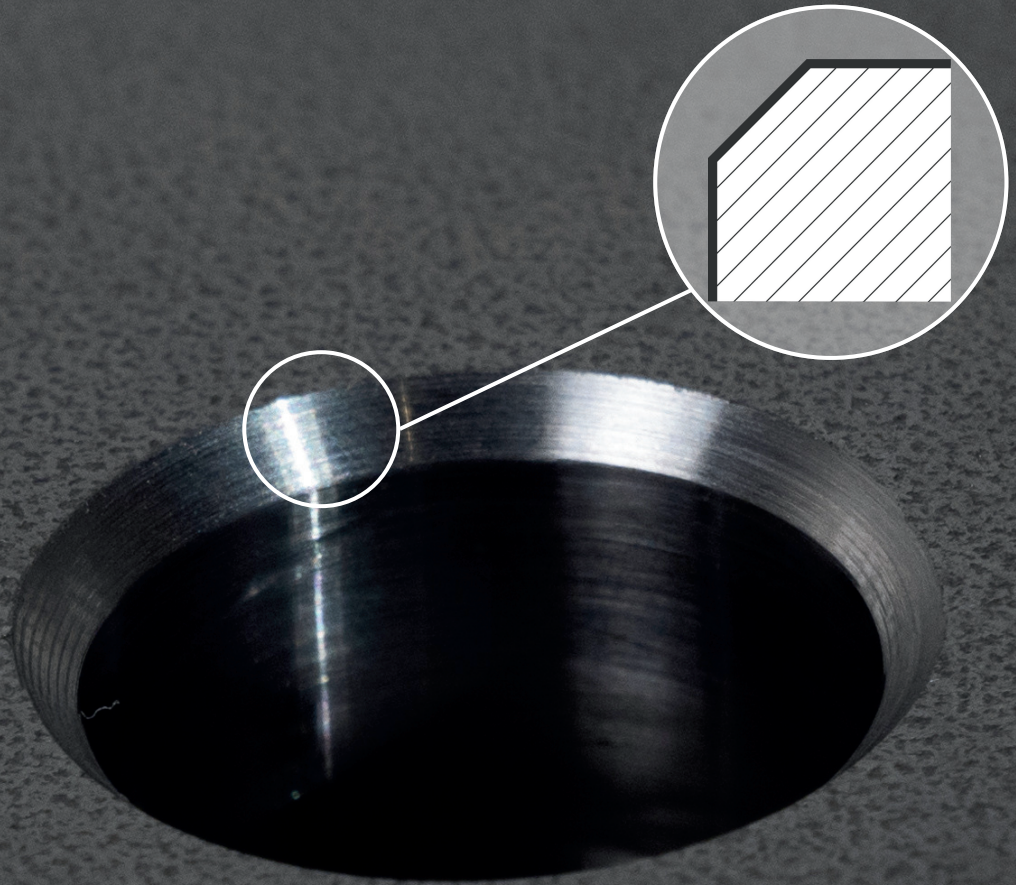
Designed for hole diameters  $\varnothing 1.00$  mm and up.



## X-Bores

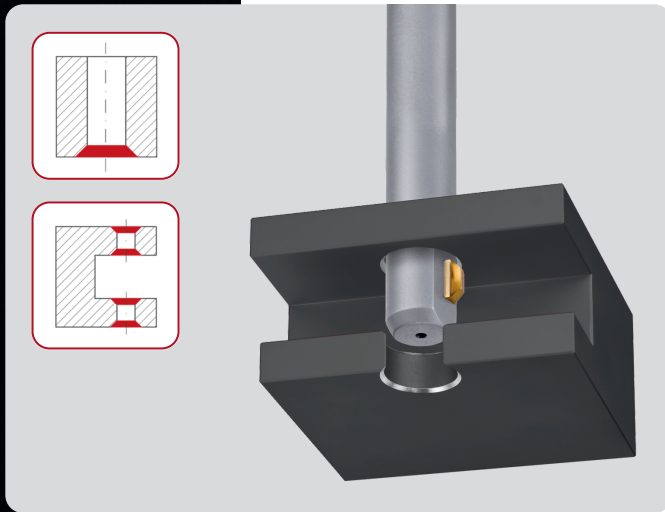
### Automated Solutions for Cross Hole Deburring

With X-BORES, HEULE rises to the challenge of automating cross hole deburring, enhancing efficiency, and elevating part quality. This innovation readily meets production demands of high volume manufacturing while eliminating manual operations. These tools are designed for the most extreme cross hole deburring challenges.



# CHAMFERING & COUNTERSINKING

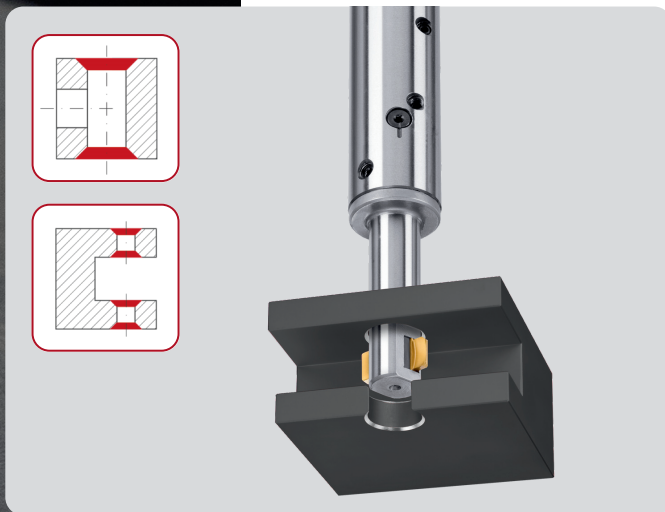
HEULE's chamfering and countersinking tools consistently remove burrs from bore edges while creating well-defined chamfers and countersinks. Quick change carbide coated blades are suitable for all materials. These tools provide exceptional cost efficiency and deliver quality results while optimizing machining processes.



## SNAP

### Precision Chamfering

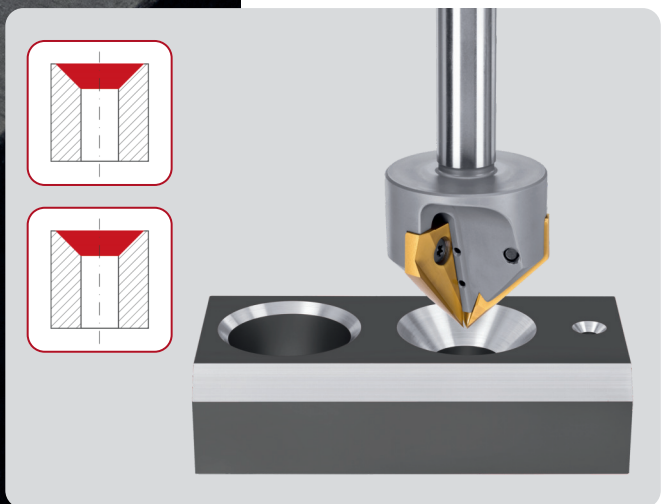
The SNAP tool is a versatile chamfering solution, combining ease of use with quick blade changes for efficient operation in diverse manufacturing environments. Operating without workpiece rotation or spindle stoppage, it efficiently eliminates burrs and creates chamfered edges. SNAP is designed for automatic use in high-production scenarios.



## DEFA

### Adjustable Chamfering

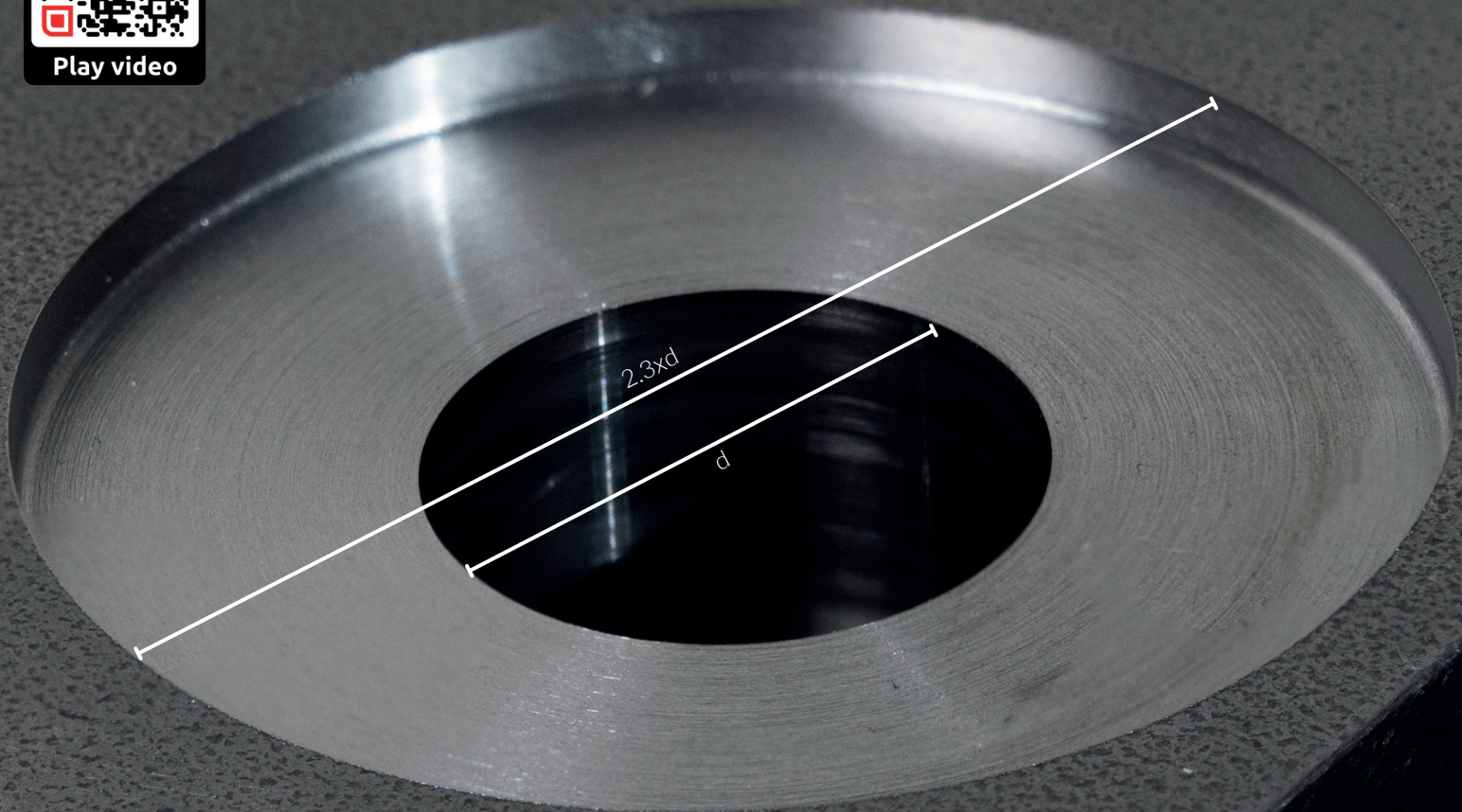
The advanced DEFA chamfering tool employs dual twin blades to create precise front and back chamfers in a single operation. The tool's adjustable chamfer diameter enhances versatility. Ideal for challenging materials, especially with sizable burrs, the DEFA tool redefines production processes.



## GH-K

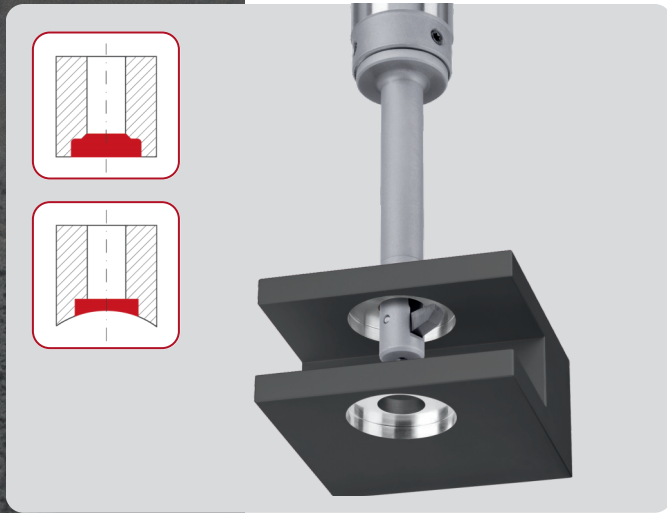
### Chatter-Free Countersinking

The GH-K is a versatile countersink tool with three interchangeable carbide coated blades, internal coolant, and milling capabilities. It can create a wide range of countersink sizes and chamfers without chatter. The tool comes in a variety of geometry angles, including 100°, 90°, 60°, and 45°.



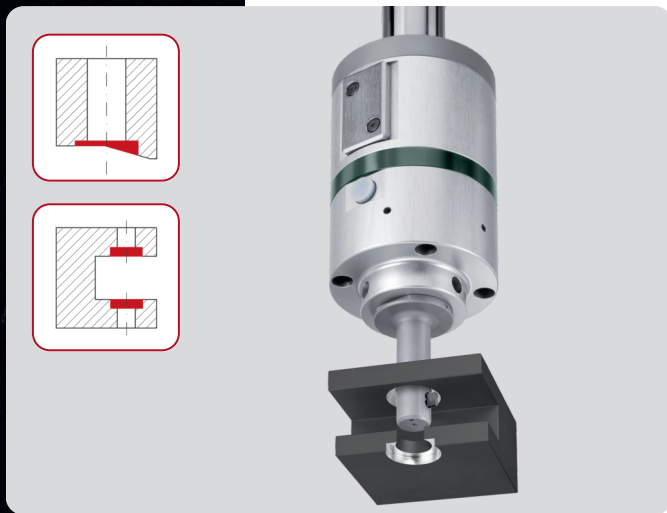
# COUNTERBORING & SPOTFACING

HEULE counterboring and spotfacing tools allow you to machine the back side of a bore without turning the workpiece or reclamping. Our solutions offer the largest ratios and most reliable tools, which are specially designed for fully automated production.



## **BSF** **Back Spotfacing**

The standard BSF tool is a single-operation back spot facing and counterboring tool that eliminates the need to rotate the workpiece. It is a robust and reliable tool with a smoothly swinging blade that is activated by spindle rotation and retracted by the machine's internal coolant or air pressure. A manual version is also available.



## **SOLO** **Front & Back Counterboring**

The SOLO tool is a single-operation front and/or back counterboring and back spotfacing tool that eliminates the need to rotate the workpiece. The blade extends and retracts radially, driven by centrifugal force. The SOLO tool is the strongest, most reliable, and fastest automated back boring tool on the market.

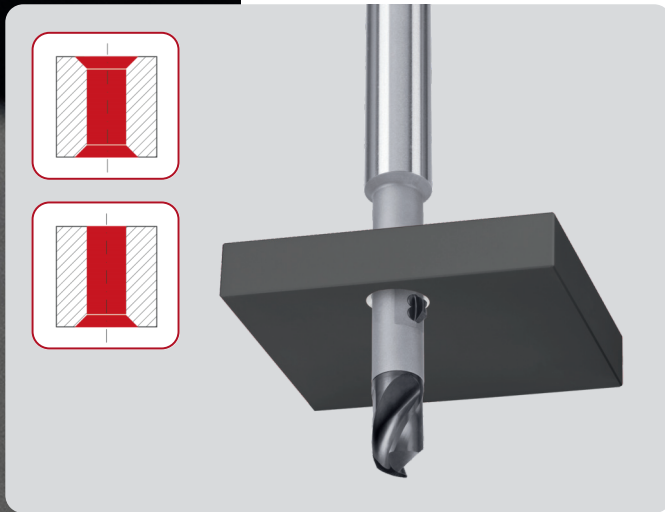


# COMBINED DRILLING

HEULE combination drilling tools simplify production processes by combining multiple operations into a single step. This can save time and improve accuracy, as well as reduce the need for manual deburring and chamfering. HEULE also offers customized development services to help customers optimize their processes even further.



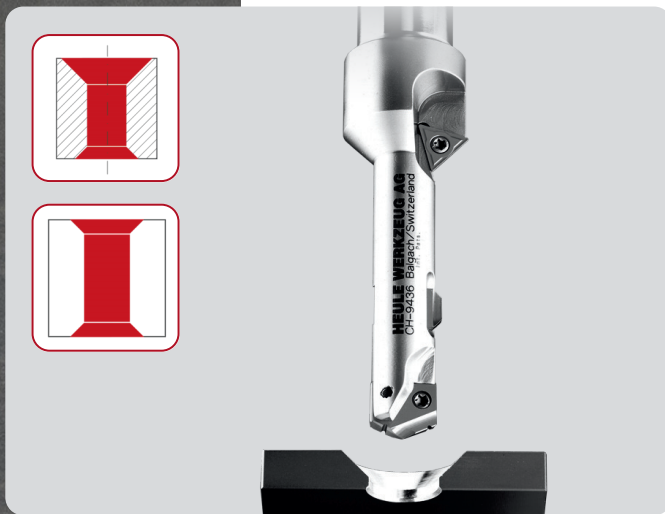




## VEX

### High Performance Drilling & Chamfering

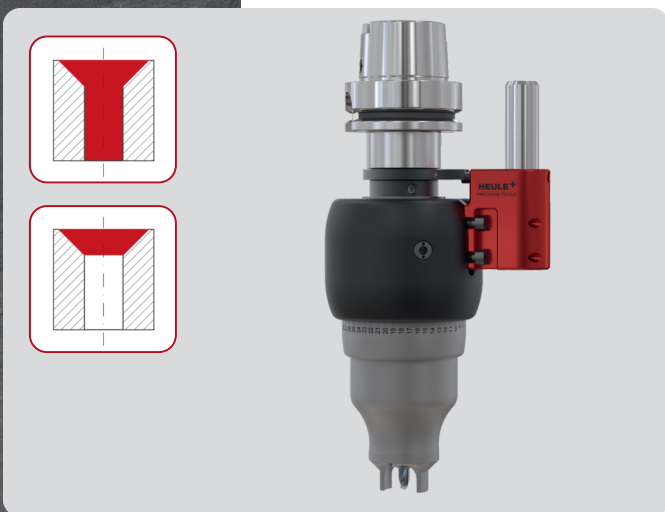
Heule's VEX tool is a high-performance combination drilling tool that utilizes solid carbide tips and has a patented SNAP front and back chamfering system. VEX is ideal for high-production environments and is used in a variety of applications.



## COMBI

### Combination Drilling & Chamfering

Heule's COMBI tool seamlessly integrates drilling and chamfering for maximum efficiency. Its advanced features encompass drilling, chamfering, countersinking, and spotfacing, streamlining processes and maintaining consistency. Ideal for high-volume manufacturing, customizable for diverse multi-task operations.



## COMP

### Combination Drilling & Countersinking

Heule's COMP tool offers precise drilling and countersinking on uneven surfaces without marking the part. It eliminates manual countersinking variability for consistent results and faster cycles. The threaded quick-change system ensures efficiency and repeatability. Ideal for aircraft components like seat rails, floor boards, structural elements, and aluminum wheels.

# Used By Top Manufacturers

The global leader in precision cutting tool solutions for the Aerospace, Automotive, Heavy Equipment, Medical, Energy, & Precision Machining industries.



HEULE was a small cutting tool manufacturer in the early 1970s. It struggled to gain recognition until it acquired its first major account, Daimler in Stuttgart. This gave HEULE the credibility and exposure it needed to become a leading supplier of deburring, chamfering, and countersinking tools to major automakers in Europe, America, and Asia. Today, HEULE's tools are used by all major automakers to save time and money.

## Aerospace Industry

TESTED AND APPROVED

HEULE's tools are trusted by leading aerospace manufacturers such as Airbus, Boeing, GE, Pratt & Whitney, and others.

They are used to machine a wide range of materials, from aluminum and steel to titanium, Inconel, and other nickel-based alloys.

HEULE's tools have been rigorously tested and approved for use in these demanding applications.

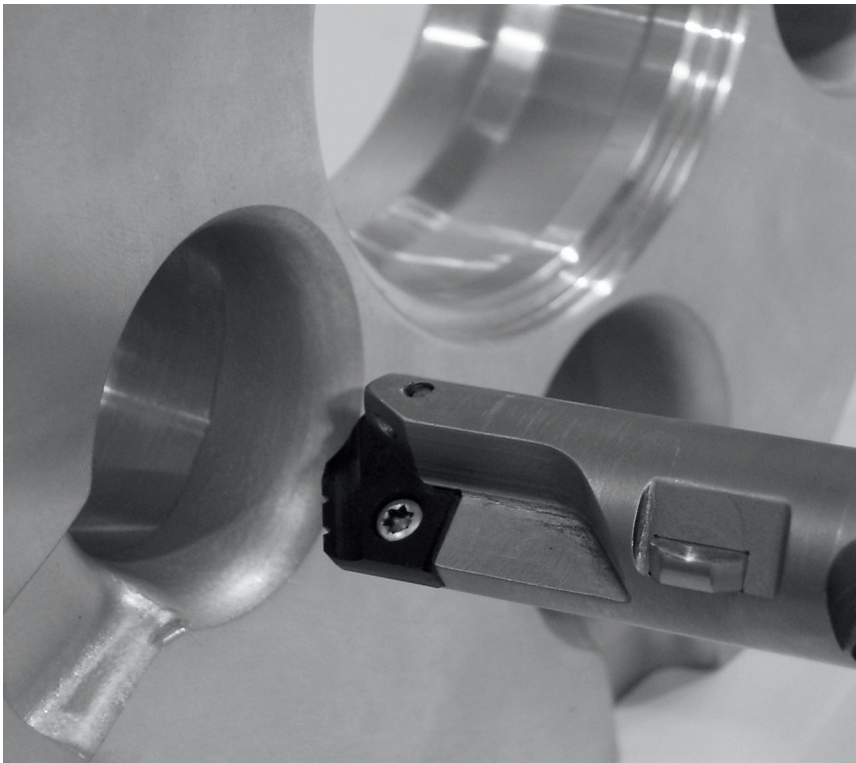


## Success Story

Our customer used to drill and back deburr lug bolt holes in two separate operations. With the HEULE Drilling Countersinking Combi Tool, they can now produce these holes in One Operation, saving time and money.

**“** *The process time reduction is enormous. We have boosted output by 157 rims per day and per machine.*

Today, this customer uses our solution on all production units that require back-bore machining. The reduced cycle time, long tool life, and easy blade changes without presetting have **significantly boosted their productivity.**



# Swiss Precision Since 1961

Over 60 years of progress in deburring solutions

Since 1961, Swiss-based HEULE Werkzeug AG has set the standard in the development of front and back deburring, chamfering, drilling, countersinking and back spotfacing tools in ONE OPERATION.

We are committed to finding innovative solutions for customers.

## GLOBAL DISTRIBUTION NETWORK

HEULE's global distribution network, with subsidiaries in the United States, China, South Korea, and Germany, ensures that our products are available to customers around the world.



## ON-SITE SUPPORT

Our experienced engineers offer excellent on-site support. They are experts in a wide range of machining processes and can help you to improve your productivity and quality.



## HIGH-QUALITY STANDARDS

HEULE's commitment to innovation and sophisticated technology is evident in the high-quality standards that customers worldwide attest to.



ISO 9001:2008 COMPANY

Catalog No. HTC023

2023 Heule Tool Corporation  
All Rights Reserved All Rights Reserved

## NORTH AMERICA HEULE TOOL CORPORATION

131 Commerce Drive  
Loveland, Ohio 4514 USA

Phone (513) 860-9900  
Fax (513) 860-9992  
Email [info@heuletool.com](mailto:info@heuletool.com)

[www.heuletool.com](http://www.heuletool.com)

## HEADQUARTERS HEULE WERKZEUG AG

Wegenstrasse 11/Postfach  
9436 Balgach Switzerland

Phone +41 71 726 38 38  
Fax +41 71 726 38 39

[www.heule.com](http://www.heule.com)